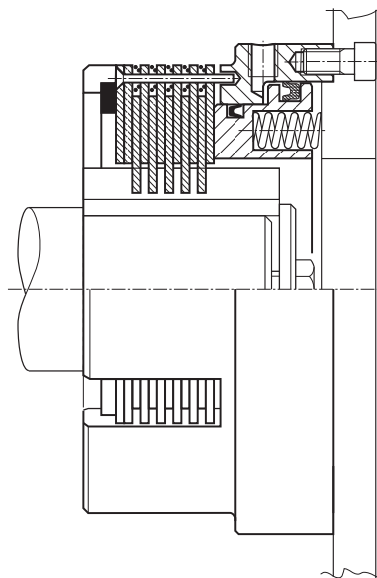




**FRENO HIDRÁULICO
MULTIDISCO NEGATIVO**

FOL-N/B-BF



HYDRAULICALLY RELEASED MULTI-DISK BRAKES

Spring-applied brakes are realized to instantaneously lock a machinery or part of it in an emergency, simply cutting off pressure supplied to the brake actuator.

They also may be used as parking brakes during scheduled stops or for maintenance.

In working conditions, this type of brake is engaged by the action of thrust springs, which guarantee the nominal braking torque.

Releasing of the brake occurs when air/oil under pressure is supplied to the working cylinder through the supply bore «A» located on the external diameter of the working cylinder itself.

For dry applications, this series of multi-disc brakes makes use of a combination of bronze/steel disks that actually allows you to work without lubrication.

In order to obtain a complete disengagement of the brake, you must guarantee the release pressure suggested on this catalogue; we also suggest to mount the command valve, which must be equipped with a blow-off device, as close as possible to the working cylinder, to quickly and precisely disengage the brake.

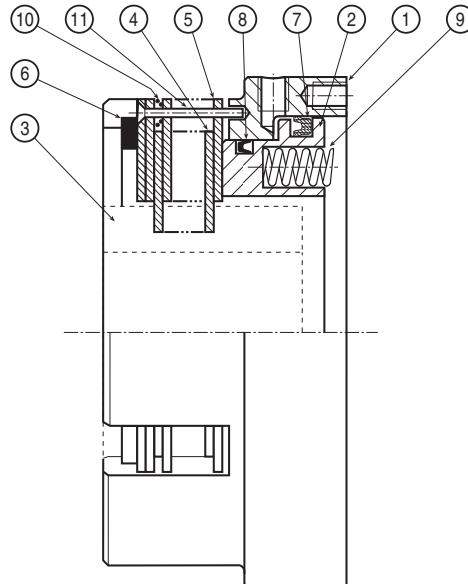
MOUNTING

– **FOL-N/B-BF, without mounting flange:** *for this model, a precise centering support must be provided, minding the dimensions reported on the technical sheet. To mount the brake, pay special attention to dimension "J", which is very important to ensure the correct functioning of the product*

In both cases you have to mount a milled hub (on demand) to the rotating shaft; this hub inserts into the fins of the inner disks. Please, always refer to mounting examples

FOL-N/B-BF

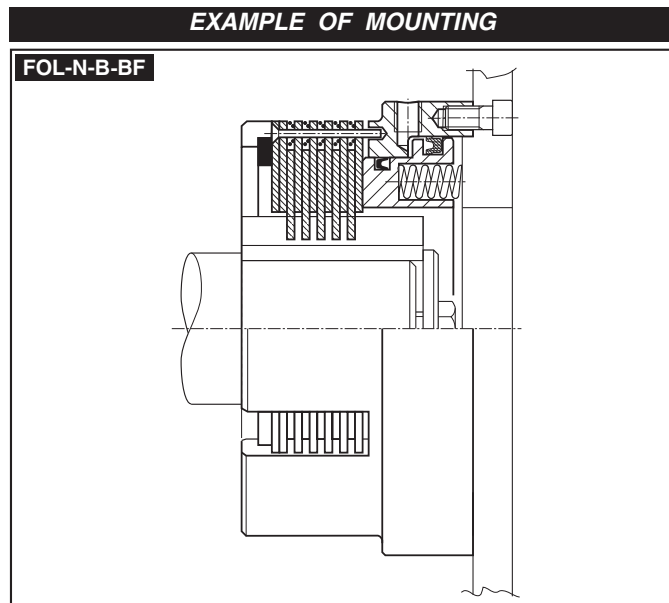
HYDRAULIC



PARTS LIST

1. CYLINDER
2. PISTON
3. CENTRAL HUB (ON DEMAND)
4. INNER DISK
5. OUTER DISK
6. INNER SAFETY RING
7. OUTER SEAL RING
8. INNER SEAL RING
9. SPRING
10. DISK SEPARATING SPRING
11. SPRING GUIDE PIN
12. MOUNTING FLANGE
13. MOUNTING FLANGE LOCKING SCREW

EXAMPLE OF MOUNTING



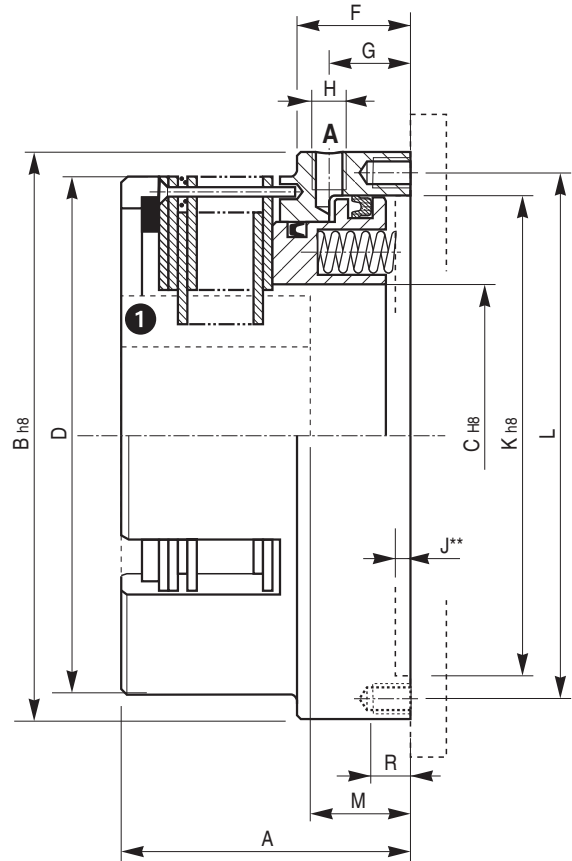
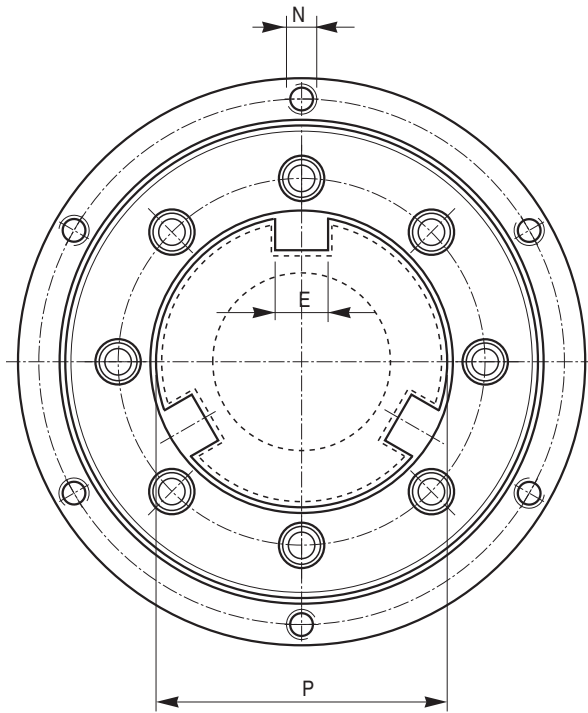
HYDRAULIC SPRING LOADED MULTI-DISK BRAKES

FOL-N../B-BF

03

MODEL
CODE

FOL-N □□□ /B-BF
03.70.□□□.01



A = Air supply

NOTE - For run in oil-bath box, the brke disks are all made of steel

(*) See dimension for mounting

□□□	Torque Ms(Nm)	Release pressure bar	R.P.M. max	Cylinder volume (cm ³)	Internal plates N.	Weight (kg)	Hub on demand ①
002	95	6	3000	14	5	2,7	MF2
003	150	6	2800	18	6	3,7	MF3
004	300	6	2400	35	6	4,9	MF46
006	650	6	2000	41	6	9,5	MF6
008	1200	6	1800	77	6	18,2	MF8/10
010	2400	6	1400	135	7	27,1	MDF-N230/S (*)

□□□	A	B	C	D	E	F	G	H	J	K	L	M max	N n° x Ø	P	R max
002	59,5	118	48	92	9	32	24	1/8"	1,5	100	108	33,5	6 x M6	47,15	12
003	67,5	135	57	108	9	32	24	1/8"	1,5	115	125	35,5	6 x M6	55	12
004	73	155	70	118	12	37	26	1/8"	2	135	145	40	8 x M6	66	13
006	92,5	192	87	148	14	42	31,5	1/4"	2	170	181	63	8 x M8	86	16
008	109,5	235	102	188	12,3	50,5	35	1/4"	3	205	220	59	12 x M8	100,5	18
010	116	280	150	248	(*)	58	42	1/4"	3,5	250	265	62	12 x M10	140	20