



Brake Type VMH2

Hydraulically Applied - Spring released

The Twiflex VMH2 disc brake caliper is comprised of two modules secured to a centrally located mounting plate by means of rods and bolts and is used with a brake disc thickness of 38mm and over. The central mounting plate thickness is 12mm greater than the brake disc.

Normally one or two brakes will be used per disc, but the number may be increased, depending on disc size. The brake units can be positioned at any angle around the periphery of the disc. A range of brake discs is available from Twiflex, (see section 4).

Minimum disc diameter for the VMH2 caliper is 1500mm.

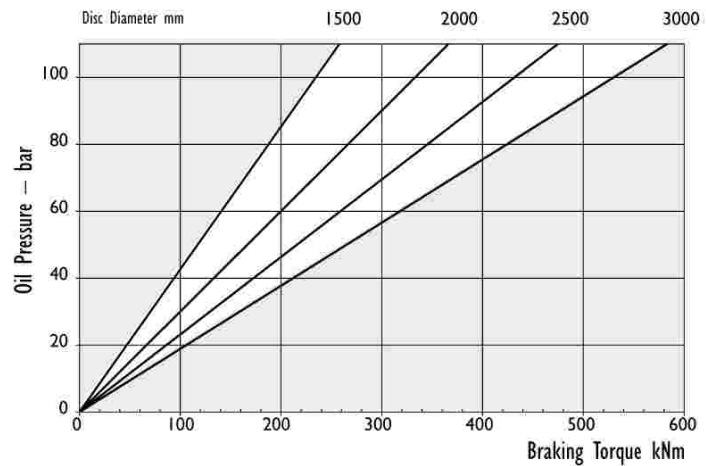
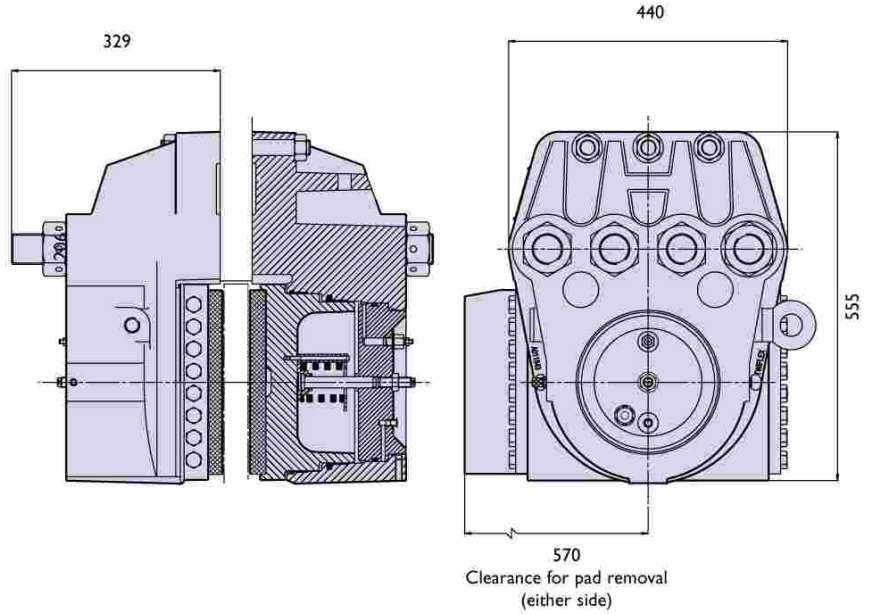
The ratings shown on the graph are based on fully bedded and conditioned brake pads with nominal friction coefficient $\mu = 0.4$.

Twiflex Disc Brakes must be used with Twiflex asbestos free brake pads.

Effective disc radius =

Actual disc radius (m) - 0.155m

Contact Twiflex for installation details.



Maximum Pressure 110 bar
 Maximum Braking Force = 433kN @ 110 bar
 Weight of caliper (2 modules) - 580kg
 Volume displacement per 1mm stroke at both pads = 101.5ml